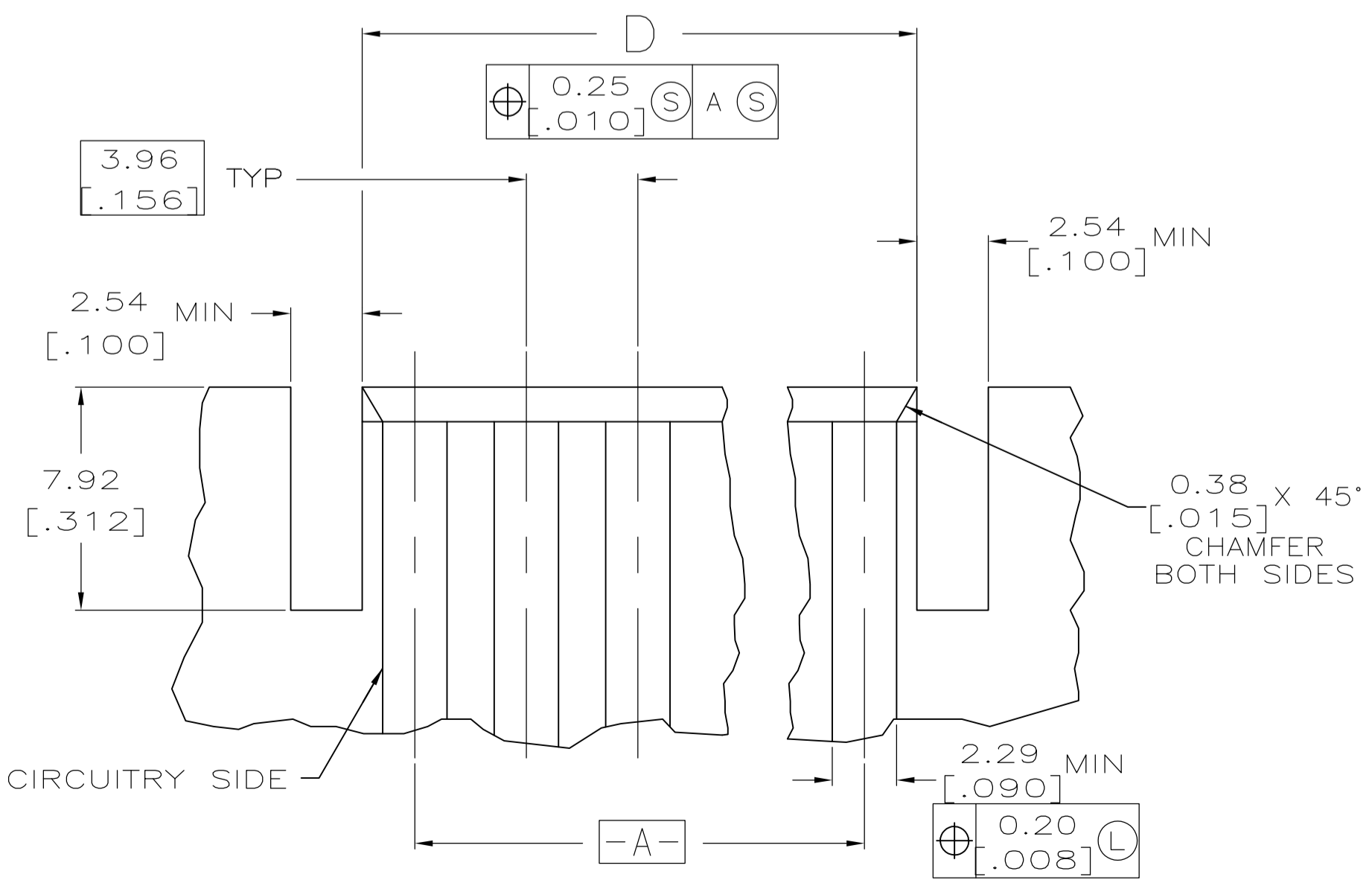
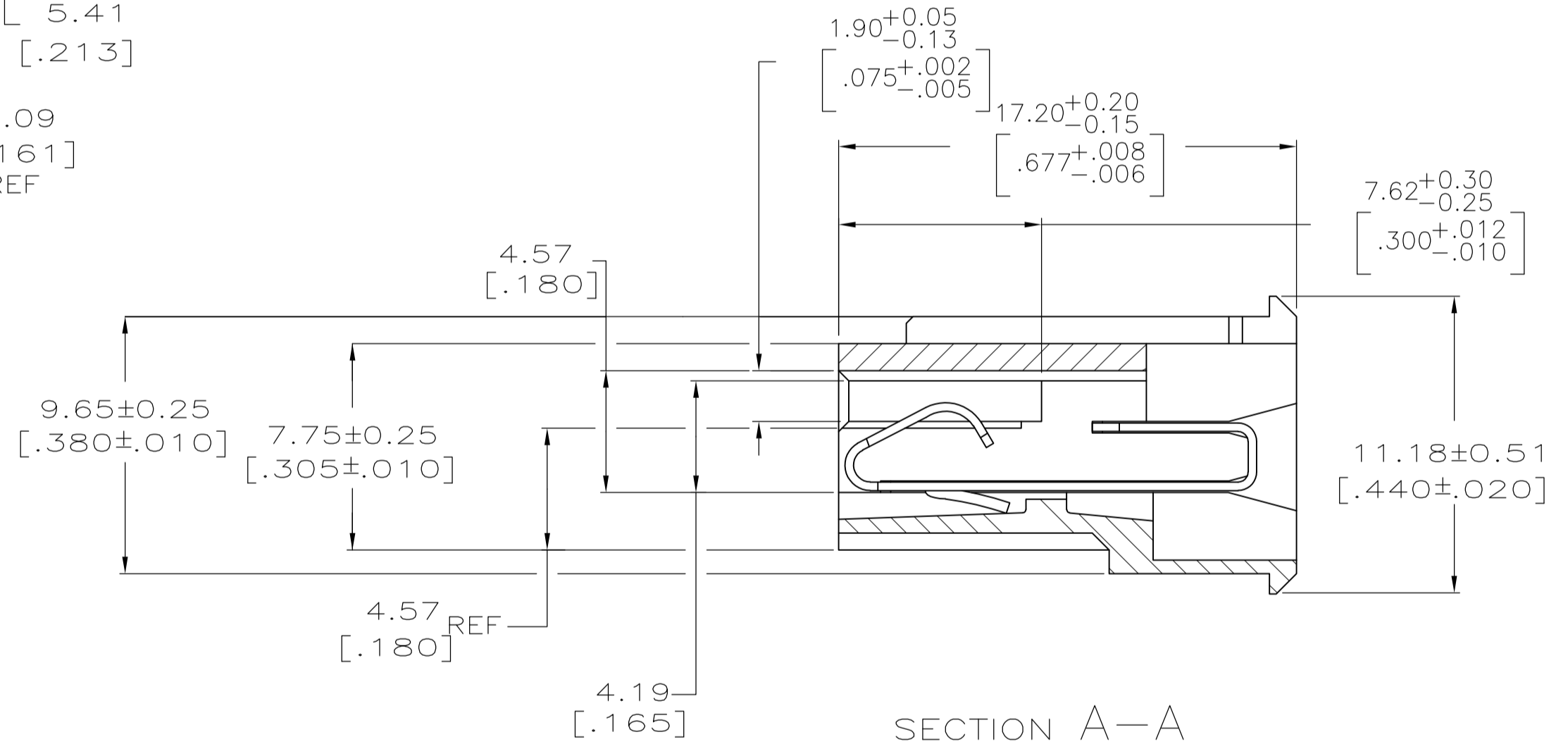
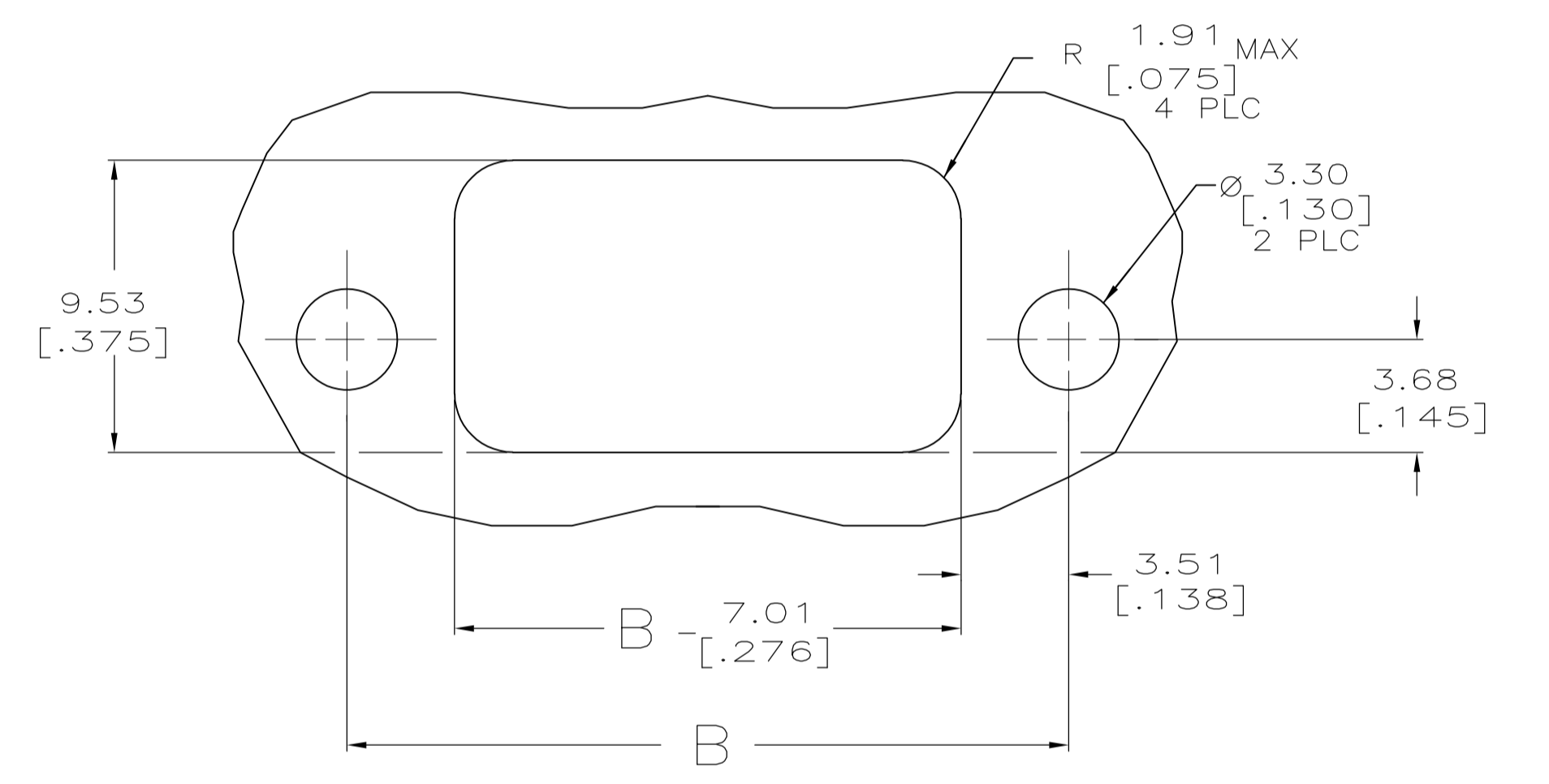
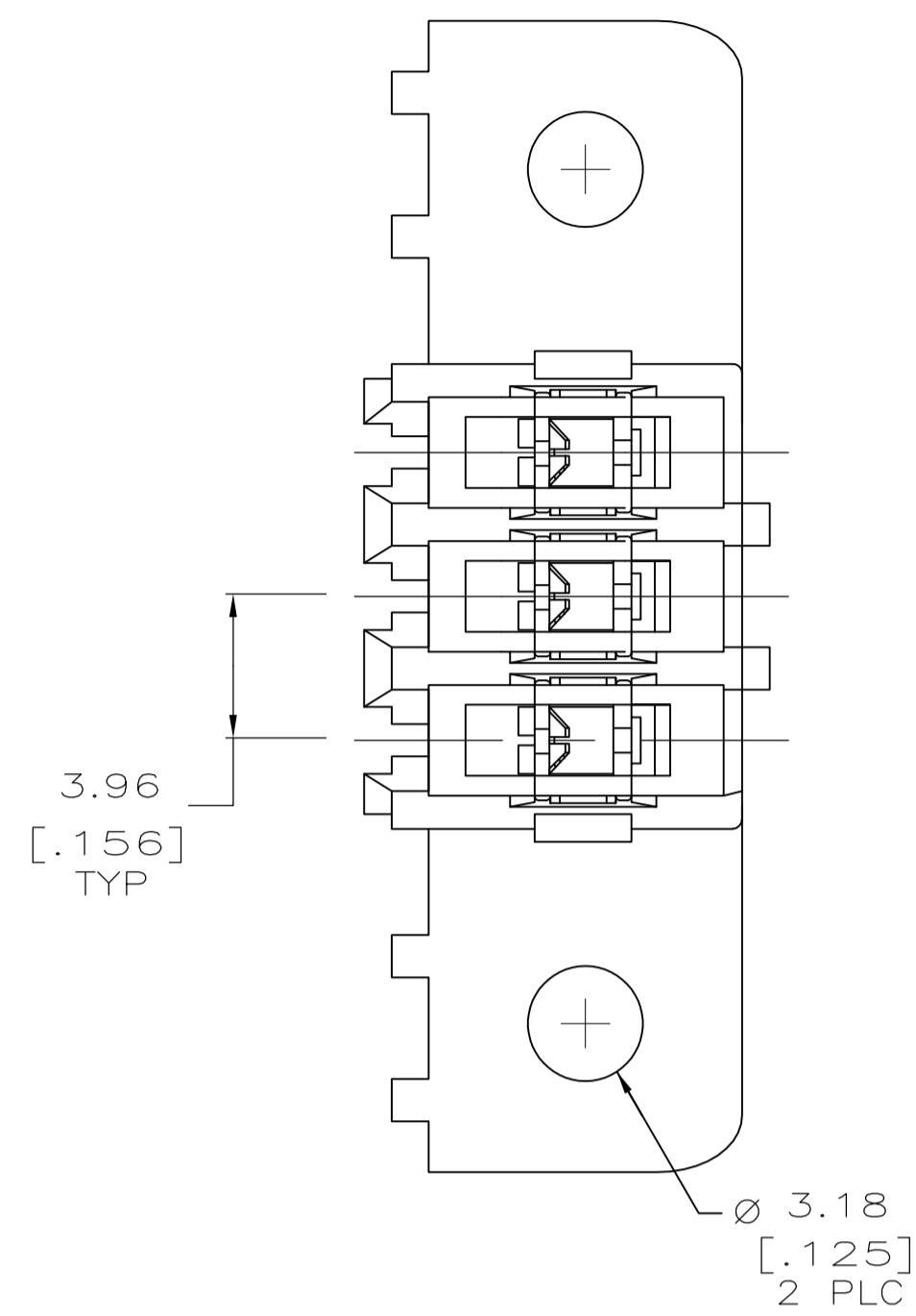
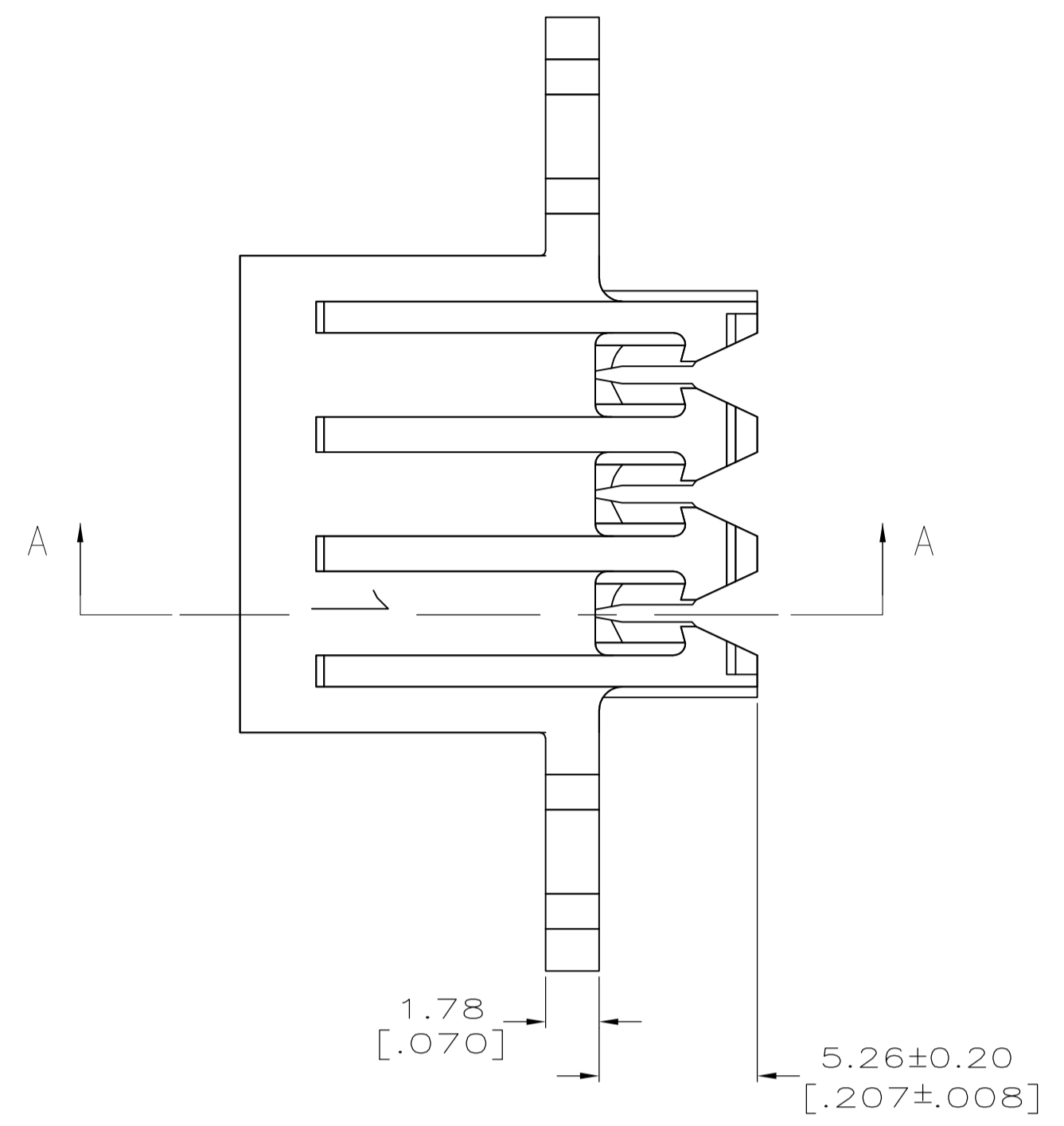
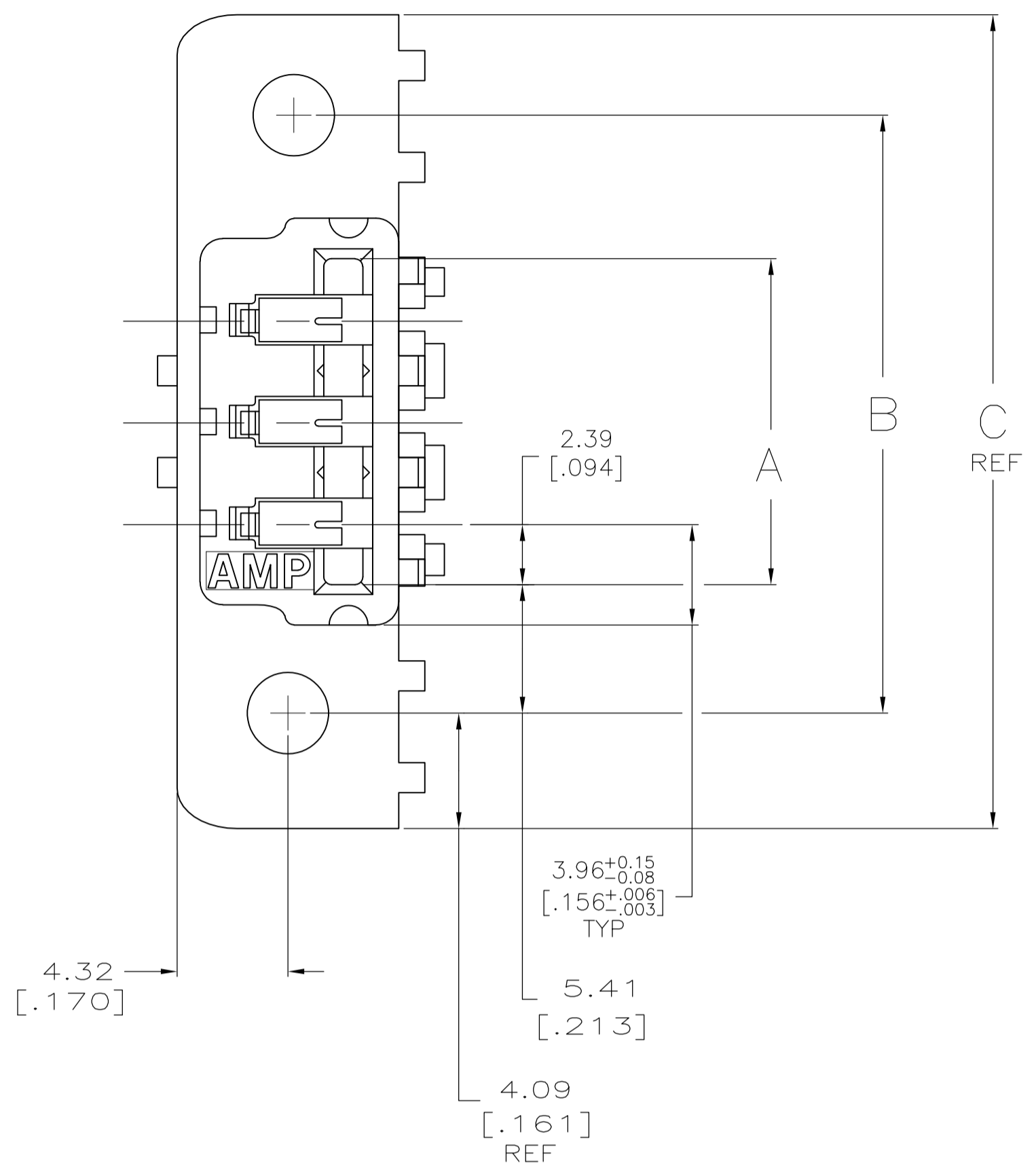
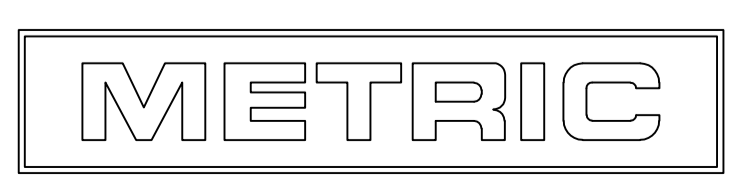


| REVISONS | | DATE | BY | APPV |
|----------|---------------|---------|----|------|
| NO | DESCRIPTION | | | |
| M | ECO-07-012898 | 27JUN07 | KW | DB |

- MATERIAL:
CONNECTOR: POLYESTER UL94V-0 (ORANGE).
CONTACTS: 0.30[.012] THK COPPER ALLOY.
 - CONTACT ACCEPT #18 AWG WIRE WITH 2.41[.095] MAXIMUM INSULATION DIAMETER.
 - CONNECTOR MATES WITH 1.57±0.20[.062±.008] THICK PC BOARD.
 - HOUSING FEATURES: FEED-THRU, STANDARD MOUTH WITH MOUNTING EARS.
- ⚠ CONTACT FINISH: BRIGHT TIN-LEAD 0.00203[.000080] MIN THK.
- ⚠ CONTACT FINISH: MATTE WHISKER MITIGATED TIN 0.00203[.000080] MIN THICKNESS OVER NICKEL UNDERPLATE.



| | | | | | | |
|----------------|---------------|----------------|----------------|---------------|-----------------|-------------|
| ⚠ | 95.50 [3.760] | 114.91 [4.524] | 106.73 [4.202] | 95.91 [3.776] | 24 | 5-641288-4 |
| | 91.54 [3.604] | 110.95 [4.368] | 102.77 [4.046] | 91.95 [3.620] | 23 | 5-641288-3 |
| | 87.58 [3.448] | 106.98 [4.212] | 98.81 [3.890] | 87.99 [3.464] | 22 | 5-641288-2 |
| | 83.62 [3.292] | 103.02 [4.056] | 94.84 [3.734] | 84.02 [3.308] | 21 | 5-641288-1 |
| | 79.65 [3.136] | 99.06 [3.900] | 90.88 [3.578] | 80.06 [3.152] | 20 | 5-641288-0 |
| | 71.73 [2.824] | 91.14 [3.588] | 82.96 [3.266] | 72.14 [2.840] | 18 | 4-641288-8 |
| | 59.84 [2.356] | 79.25 [3.120] | 71.07 [2.798] | 60.25 [2.372] | 15 | 4-641288-5 |
| | 47.96 [1.888] | 67.36 [2.652] | 59.18 [2.330] | 48.36 [1.904] | 12 | 4-641288-2 |
| | 36.07 [1.420] | 55.47 [2.184] | 47.29 [1.862] | 36.47 [1.436] | 9 | 3-641288-9 |
| | 24.18 [.952] | 43.59 [1.716] | 35.41 [1.394] | 24.59 [.968] | 6 | 3-641288-6 |
| ⚠ | 12.29 [.484] | 31.70 [1.248] | 23.52 [.926] | 12.70 [.500] | 3 | 3-641288-3 |
| | 95.50 [3.760] | 114.91 [4.524] | 106.73 [4.202] | 95.91 [3.776] | 24 | 2-641288-4 |
| | 91.54 [3.604] | 110.95 [4.368] | 102.77 [4.046] | 91.95 [3.620] | 23 | 2-641288-3 |
| | 87.58 [3.448] | 106.98 [4.212] | 98.81 [3.890] | 87.99 [3.464] | 22 | 2-641288-2 |
| | 83.62 [3.292] | 103.02 [4.056] | 94.84 [3.734] | 84.02 [3.308] | 21 | 2-641288-1 |
| | 79.65 [3.136] | 99.06 [3.900] | 90.88 [3.578] | 80.06 [3.152] | 20 | 2-641288-0 |
| | 71.73 [2.824] | 91.14 [3.588] | 82.96 [3.266] | 72.14 [2.840] | 18 | 1-641288-8 |
| | 59.84 [2.356] | 79.25 [3.120] | 71.07 [2.798] | 60.25 [2.372] | 15 | 1-641288-5 |
| | 47.96 [1.888] | 67.36 [2.652] | 59.18 [2.330] | 48.36 [1.904] | 12 | 1-641288-2 |
| | 36.07 [1.420] | 55.47 [2.184] | 47.29 [1.862] | 36.47 [1.436] | 9 | 641288-9 |
| 24.18 [.952] | 43.59 [1.716] | 35.41 [1.394] | 24.59 [.968] | 6 | 641288-6 | |
| 12.29 [.484] | 31.70 [1.248] | 23.52 [.926] | 12.70 [.500] | 3 | 641288-3 | |
| CONTACT FINISH | D | C | B | A | NO. OF CIRCUITS | PART NUMBER |



THIS DRAWING IS A CONTROLLED DOCUMENT. **Tyco Electronics** Tyco Electronics Corporation Harrisburg, Pa 17105-3608

DIMENSIONS: mm [INCHES] TOLERANCES UNLESS OTHERWISE SPECIFIED:

| | | |
|--------|---|--------------|
| 0 PLC | ± | - |
| 1 PLC | ± | - |
| 2 PLC | ± | 0.13 [0.005] |
| 3 PLC | ± | - |
| 4 PLC | ± | - |
| ANGLES | ± | - |

MATERIAL: SEE NOTE 1 FINISH: SEE NOTE 1

THIS DRAWING IS A CONTROLLED DOCUMENT. **Tyco Electronics** Tyco Electronics Corporation Harrisburg, Pa 17105-3608

PRODUCT SPEC: MTA-156 CARD EDGE CONNECTOR ASSEMBLY, 18 AWG, PANEL MOUNT

SIZE: A1 CAGE CODE: 00779 DRAWING NO: 641288

WEIGHT: - RESTRICTED TO: -

CUSTOMER DRAWING SCALE: 5:1 SHEET: 1 of 1 REV: M